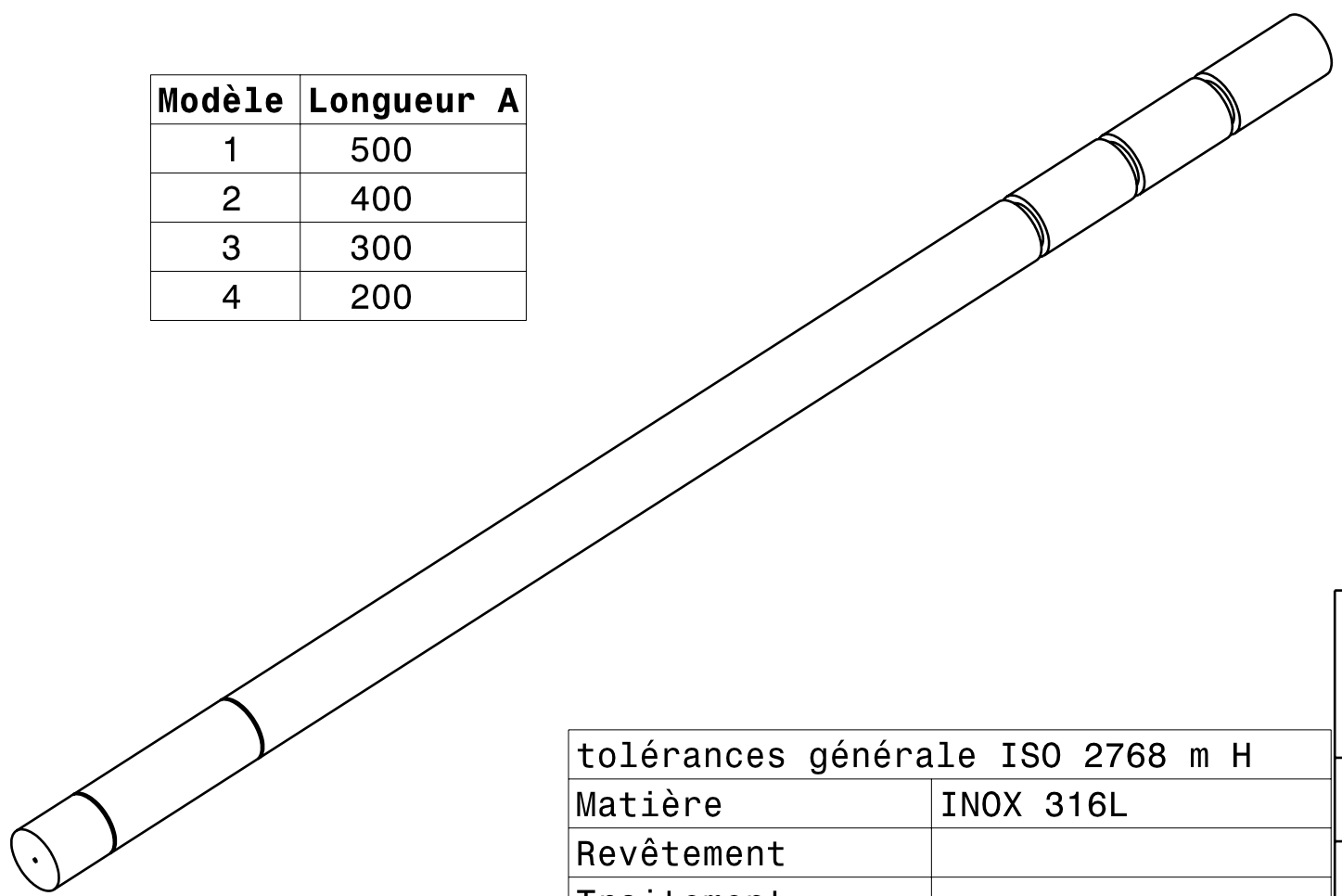


Détail B
Echelle : 2:1

Modèle	Longueur A
1	500
2	400
3	300
4	200



tolérances générale ISO 2768 m H	
Matière	INOX 316L
Revêtement	
Traitement	

This drawing is our property. It can't be reproduced or communicated without our written agreement.		CNRS-INSU-DIVISION TECHNIQUE			
DRAWING TITLE					
DRAWN BY	DATE	SIZE	DRAWING NUMBER	REV	
lesourd	04/12/2007				
CHECKED BY	DATE	A3	2002003	1	
Geyskens	14/12/07				
DESIGNED BY	DATE	SCALE	WEIGHT(kg)	SHEET	
XXX	xxx	1/2	1.2	1/1	